



250 Staunton Turnpike, Parkersburg, WV 26104

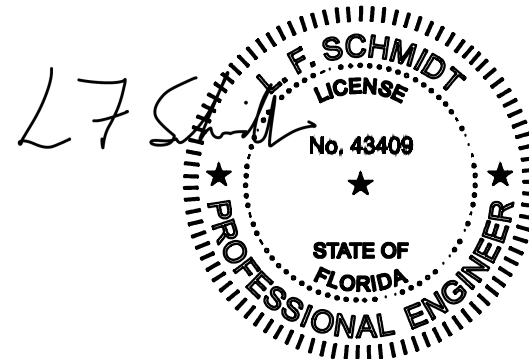
8400 Series Vinyl Sliding Patio Door "NON-IMPACT"

GENERAL NOTES

1. This product has been evaluated and is in compliance with the 8th Edition (2023) Florida Building Code (FBC) structural requirements excluding the "High Velocity Hurricane Zone" (HVHZ).
2. Product anchors shall be as listed and spaced as shown on details. Anchor embedment to base material shall be beyond wall dressing or stucco.
3. When used in areas requiring wind borne debris protection this product is required to be protected with an impact resistant covering that complies with FBC Sections 1609.1.2 & R301.2.1.2.
4. For 2x stud framing construction, anchoring of these units shall be the same as that shown for 2x buck masonry construction.
5. Site conditions that deviate from the details of this drawing require further engineering analysis by a licensed engineer or registered architect.

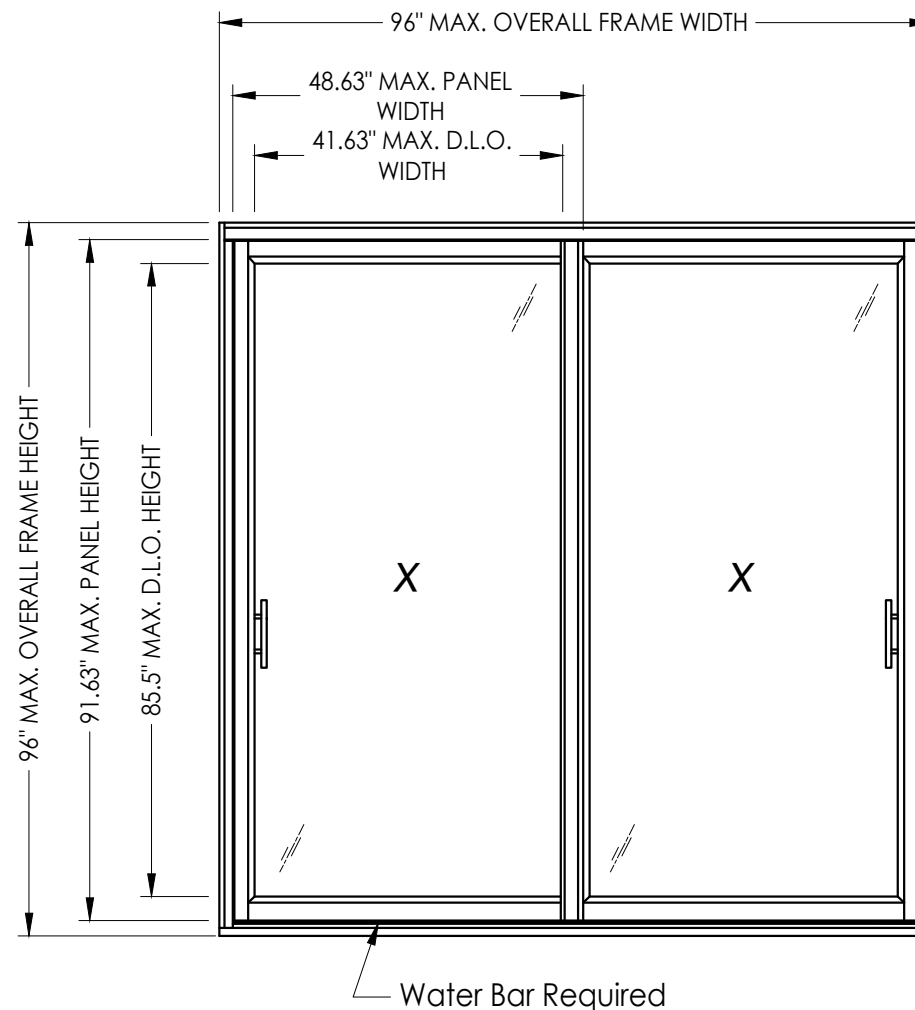
TABLE OF CONTENTS

SHEET#	DESCRIPTION
1	Typical elevation, design pressures & general notes
2	Horizontal and vertical cross sections
3	Horizontal and vertical cross sections
4	Buck & frame anchoring (MAX. D.P. = 50 PSF)
5	Buck & frame anchoring (MAX. D.P. = 55 PSF)
6	Glazing detail & components
7	Bill of materials



This item has been digitally signed and sealed by L. F. Schmidt, P.E. on the date adjacent to the seal. Printed copies of this document are not considered signed and sealed and the signature must be verified on any electronic copies.

THIS PRODUCT APPROVAL IS VALID ONLY FOR THE STATE OF FLORIDA



OVERALL FRAME DIMENSION	MAX. PANEL DIMENSION	MAX. D.L.O. DIMENSION	GLASS TYPE	DESIGN PRESSURE (PSF)	
				POSITIVE	NEGATIVE
96.0" x 96.0"	48.63" X 91.63"	41.63" X 85.5"	G1	+50.0	-55.0

Documents Prepared By:
Lyndon F. Schmidt
P.E. No. 43409

PRODUCT:
8400 SERIES VINYL SLIDING PATIO DOORS

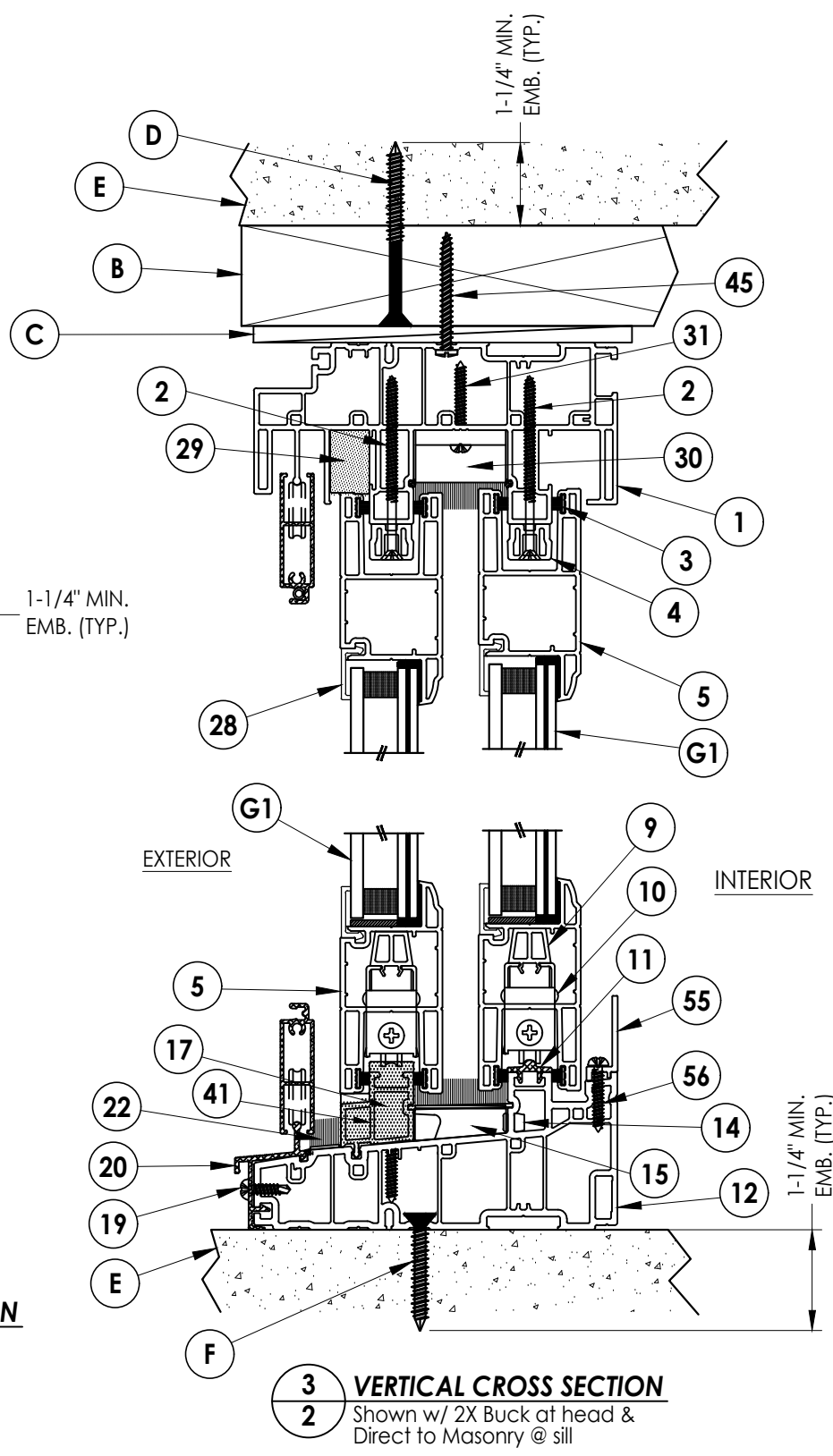
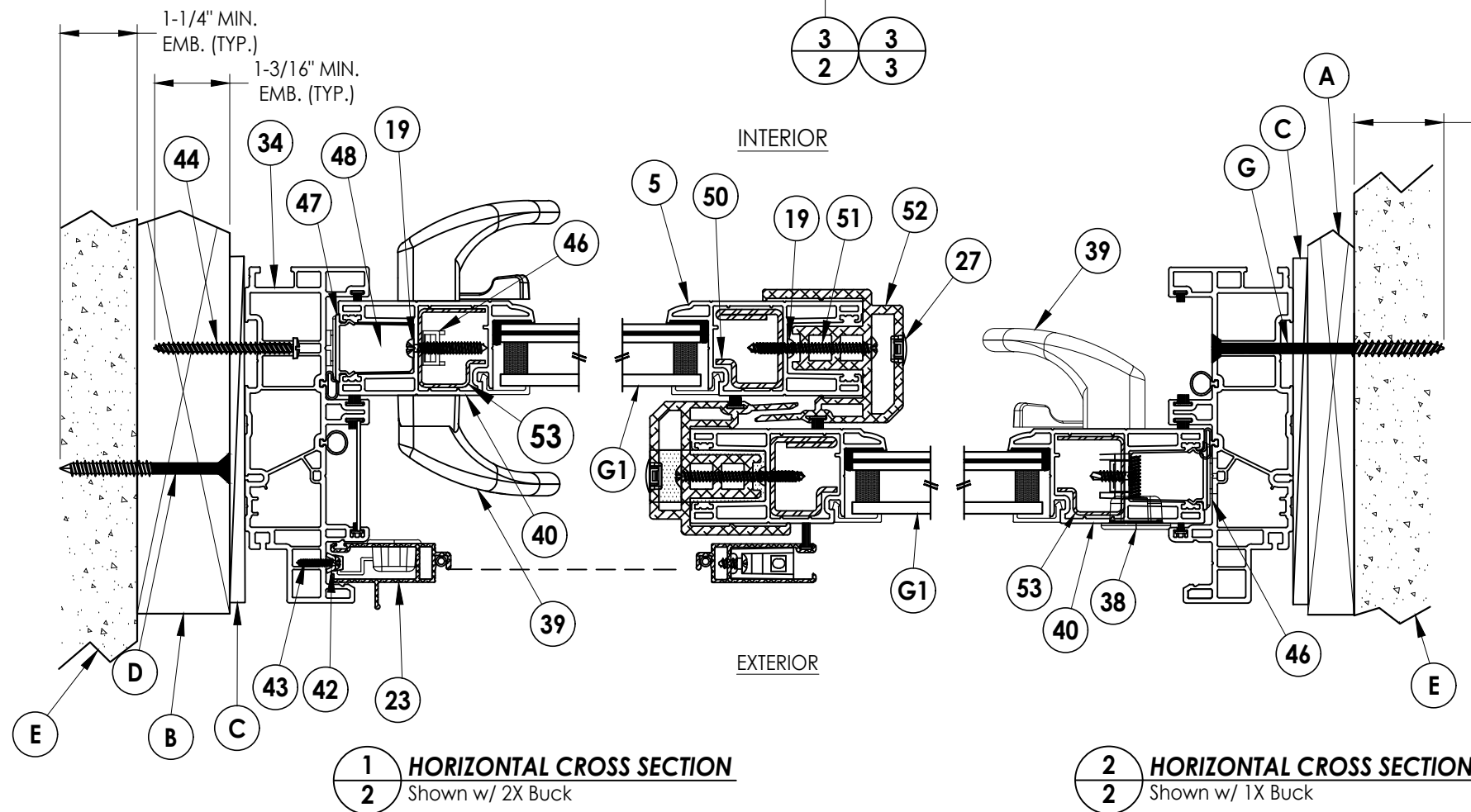
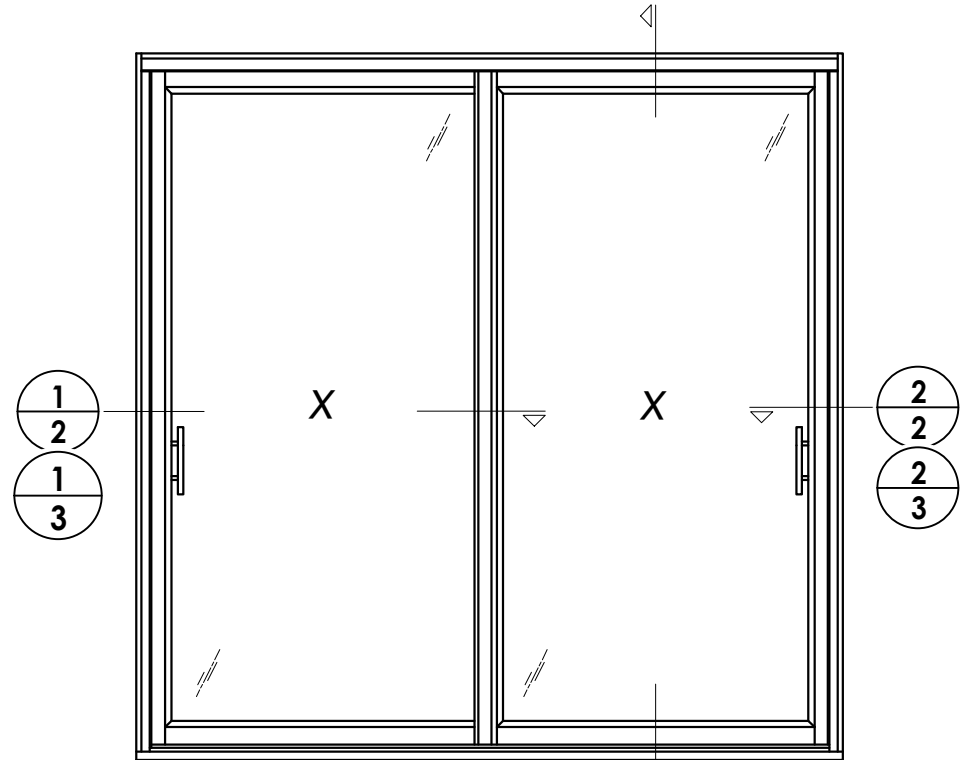
PART OR ASSEMBLY:
TYPICAL ELEVATION, DESIGN PRESSURES & GENERAL NOTES

RW
BUILDING CONSULTANTS, INC.
P.O. Box 230, Vairico, FL 33595
Phone No.: 813.659.9197
FBPE Registry No. 9813

DATE: 4/13/22
SCALE: N.T.S.
DWG. BY: LFS
CHK. BY: RW
DRAWING NO.: FL-16216.13
SHEET 1 OF 7

NO.	DATE	REVISIONS
1	7/06/23	UPDATE TO 8TH ED. (2023) FBC

Z:\2023 FBC Drawings\Wincore Window Company\FL-16216 R14\FL-16216.13.dwg

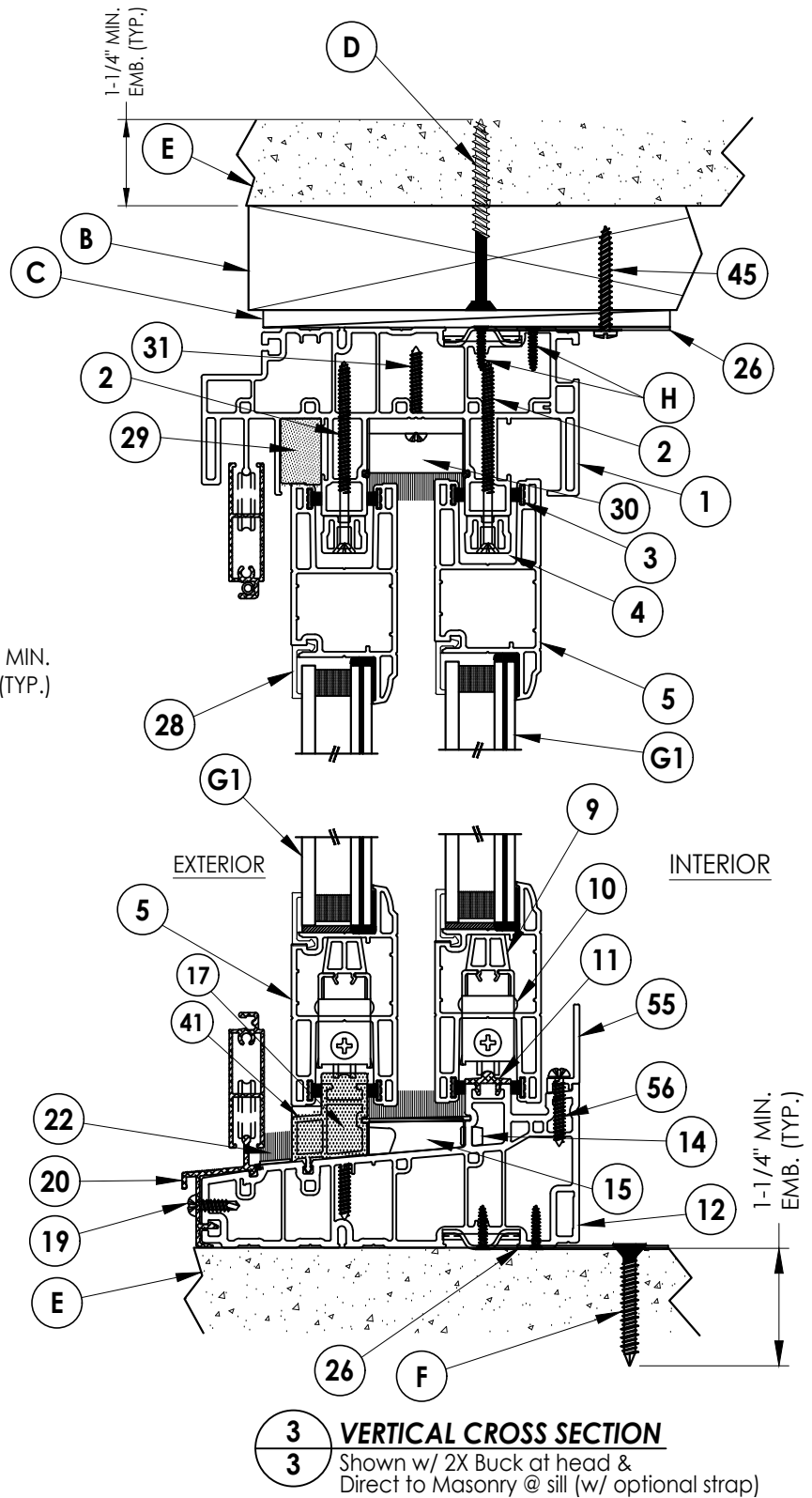
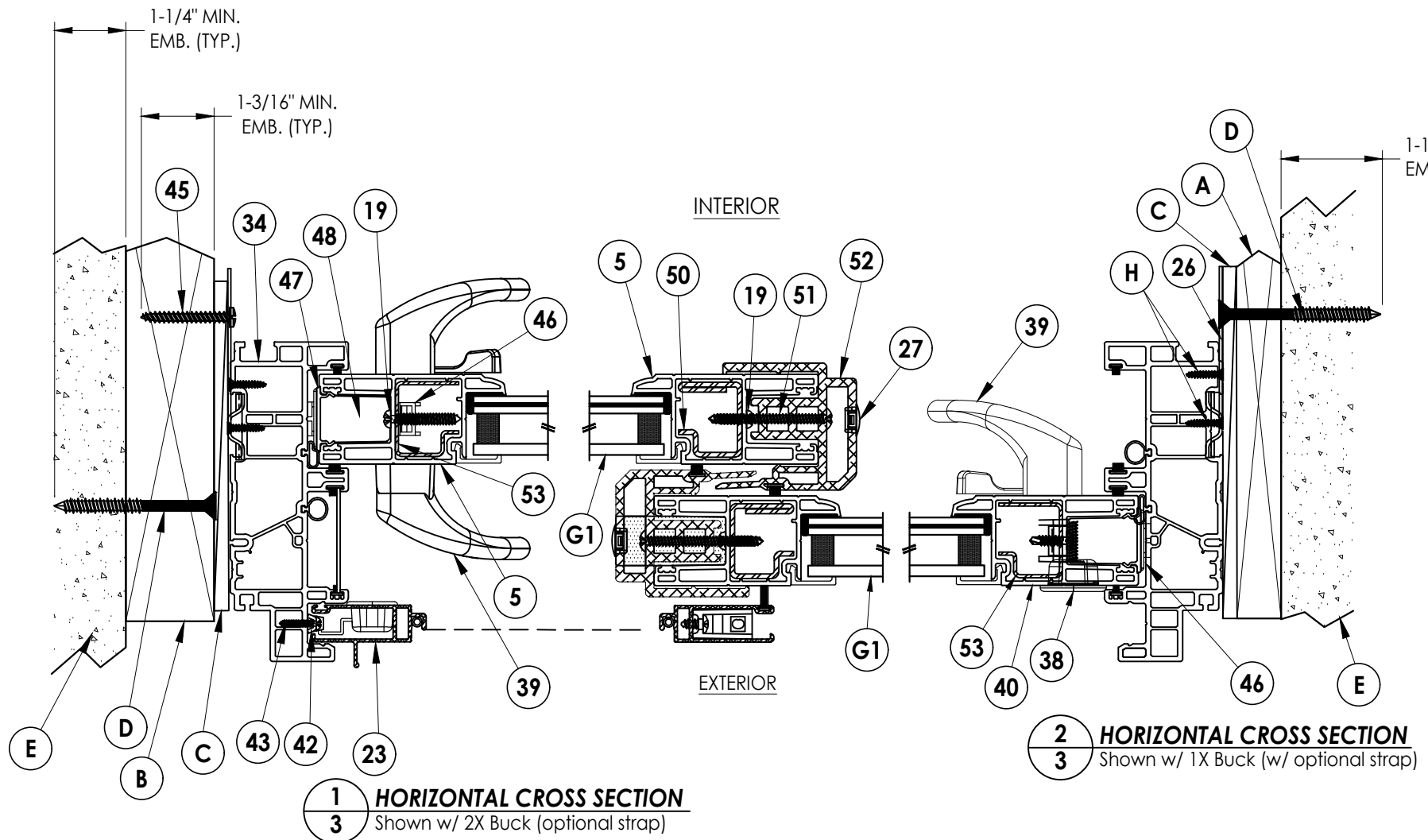


Documents Prepared By: Lyndon F. Schmidt P.E. No. 43409		BUILDING CONSULTANTS, INC. P.O. Box 230, Valrico, FL 33595 Phone No.: 813.659.9197 - FBPE Registry No. 9813	
PRODUCT:	8400 SERIES VINYL SLIDING PATIO DOORS	PART OR ASSEMBLY: HORIZONTAL & VERTICAL CROSS SECTIONS	
		LFS	BY
		1	7/06/23
		NO.	DATE
		REVISIONS	
DATE:	4/13/22		
SCALE:	N.T.S.		
DWG. BY:	LFS		
CHK. BY:	RW		
DRAWING NO.:	FL-16216.13		
SHEET	2	OF 7	

© 2022 R.W. BUILDING CONSULTANTS INC.

Z:\2023 FBC Drawings\Wincore Window Company\FL-16216 R14\FL-16216.13.dwg

NOTE: MAX. DP = ± 50 PSF when using the optional strap anchor.



Documents Prepared By:
Lyndon F. Schmidt
P.E. No. 43409

PRODUCT:
8400 SERIES VINYL
SLIDING PATIO DOORS

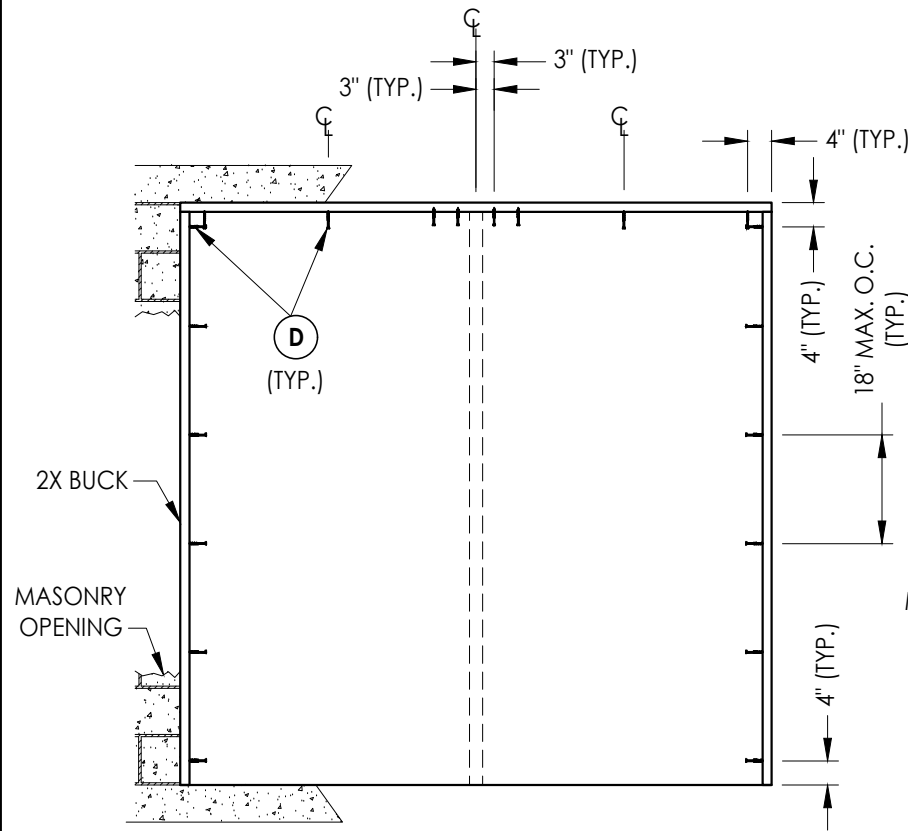
PART OR ASSEMBLY:
HORIZONTAL & VERTICAL
CROSS SECTIONS

NO.	DATE	REVISIONS	BY
1	7/06/23	UPDATE TO 8TH ED. (2023) FBC	LFS

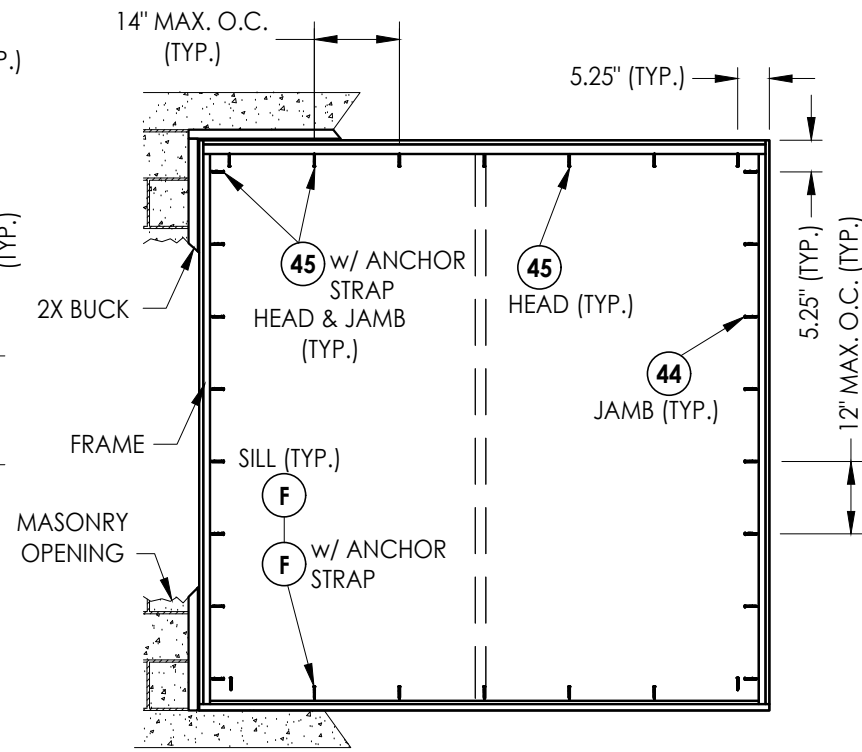
DATE: 4/13/22
SCALE: N.T.S.
DWG. BY: LFS
CHK. BY: RW
DRAWING NO.: FL-16216.13
SHEET 3 OF 7

RW BUILDING CONSULTANTS, INC.
P.O. Box 230, Valrico, FL 33595
Phone No.: 813.659.9197
. FBPE Registry No. 9813

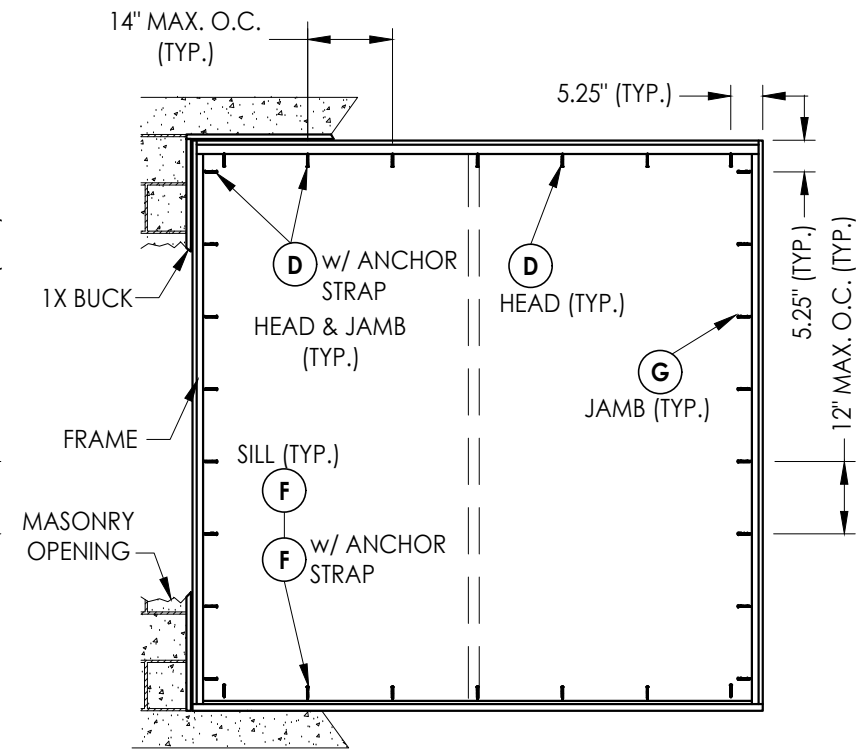
© 2022 R.W. BUILDING CONSULTANTS INC.



**BUCK ANCHORING
MASONRY**

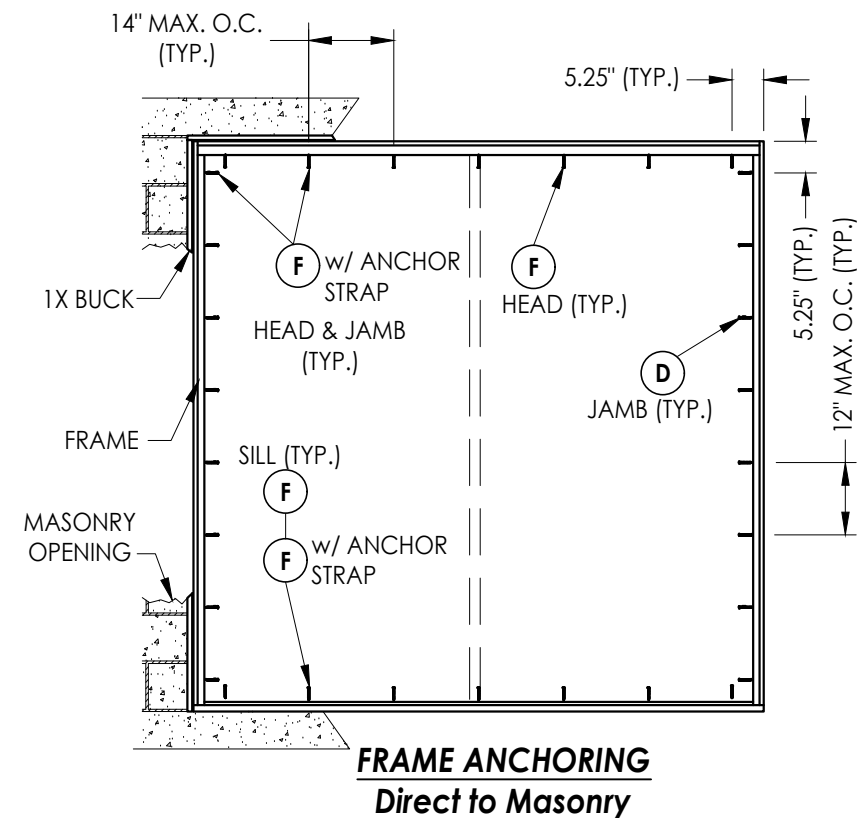


**FRAME ANCHORING
2X Buck**



**FRAME ANCHORING
1X Buck**

NOTE: MAX. D.P. = 50 PSF



**FRAME ANCHORING
Direct to Masonry**

CONCRETE ANCHOR NOTES:

- Concrete anchor locations at the corners may be adjusted to maintain the min. edge distance to mortar joints.
- Concrete anchor locations noted as "MAX. ON CENTER" must be adjusted to maintain the min. edge distance to mortar joints, additional concrete anchors may be required to ensure the "MAX. ON CENTER" dimension are not exceeded.
- Concrete anchor table:

ANCHOR TYPE	ANCHOR SIZE	MIN. EMBEDMENT	MIN. CLEARANCE TO MASONRY EDGE	MIN. CLEARANCE TO ADJACENT ANCHOR
ITW TAPCON®	1/4"	1-1/4"	2"	4"
DeWALT ULTRACON®	1/4"	1-1/4"	1"	4"

WOOD SCREW INSTALLATION NOTES:

- Maintain a minimum 5/8" edge distance, 1" end distance, & 1" o.c. spacing of wood screws to prevent the splitting of wood.

Documents Prepared By:
Lyndon F. Schmidt
P.E. No. 43409

RW BUILDING CONSULTANTS, INC.
P.O. Box 230, Vairico, FL 33595
Phone No.: 813.659.9197
FBPE Registry No. 9813

PRODUCT:
8400 SERIES VINYL
SLIDING PATIO DOORS

PART OR ASSEMBLY:
BUCK & FRAME ANCHORING
(MAX. D.P. = 50 PSF)

NO.	DATE	BY	REVISIONS
1	7/06/23	FBC	UPDATE TO 8TH ED. (2023)

DATE: 4/13/22

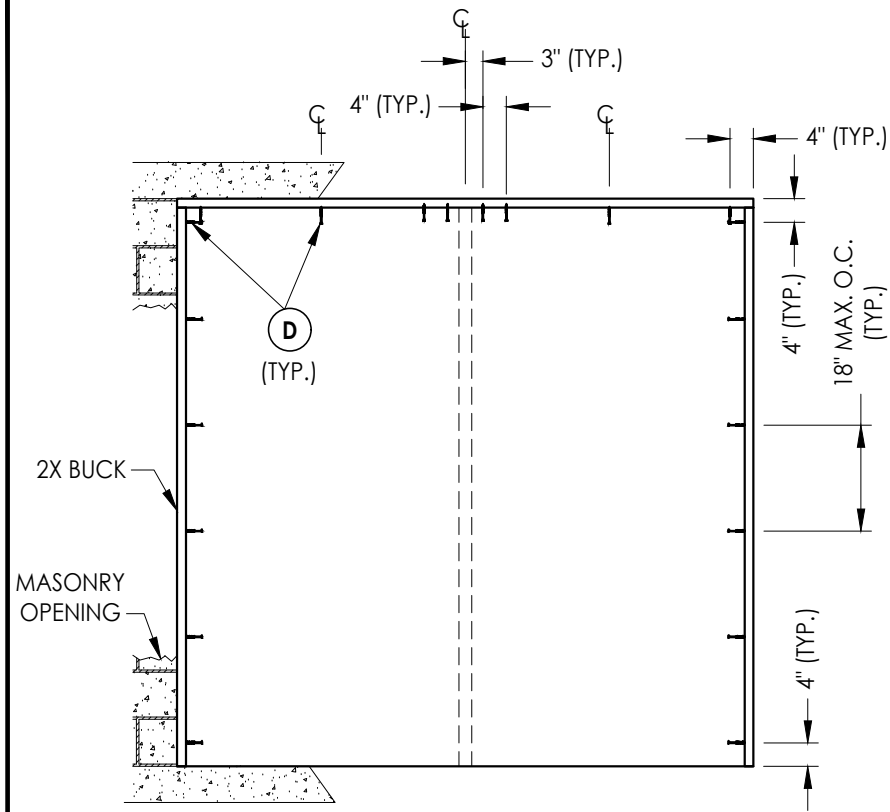
SCALE: N.T.S.

DWG. BY: LFS

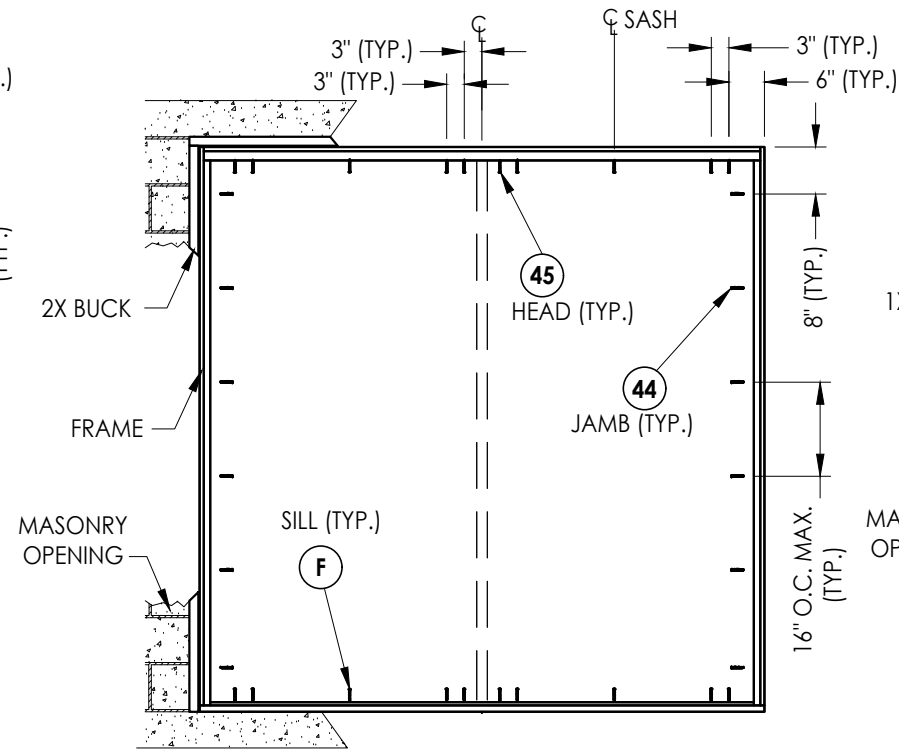
CHK. BY: RW

DRAWING NO.:
FL-16216.13

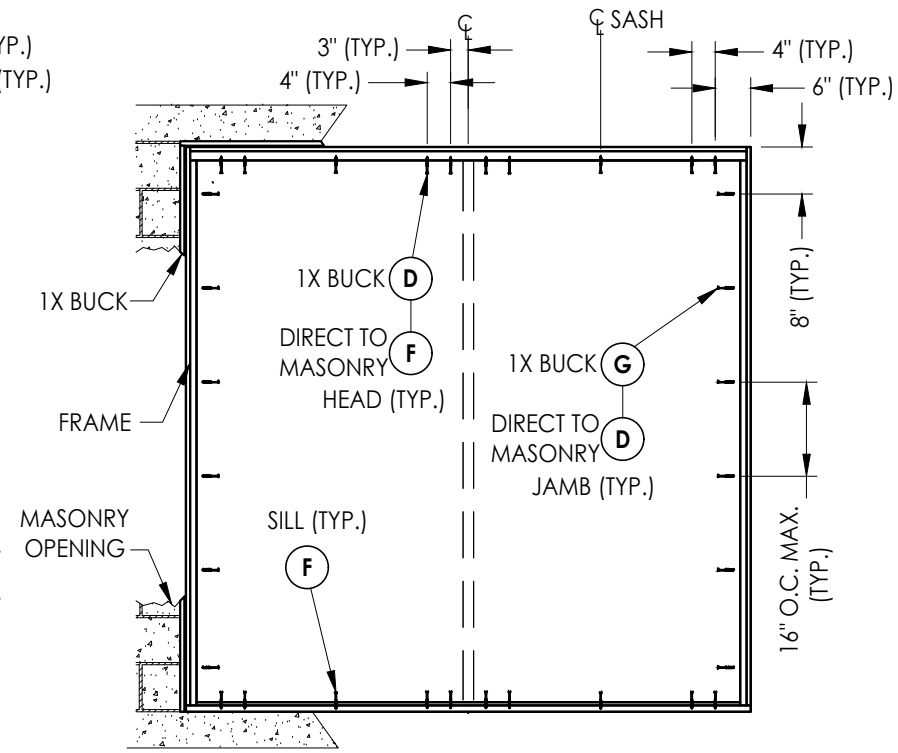
SHEET 4 OF 7



**BUCK ANCHORING
MASONRY**



**FRAME ANCHORING
2X Buck**



**FRAME ANCHORING
1X Buck, Direct to Masonry**

NOTE: MAX. D.P. = 55 PSF

CONCRETE ANCHOR NOTES:

- Concrete anchor locations at the corners may be adjusted to maintain the min. edge distance to mortar joints.
- Concrete anchor locations noted as "MAX. ON CENTER" must be adjusted to maintain the min. edge distance to mortar joints, additional concrete anchors may be required to ensure the "MAX. ON CENTER" dimension are not exceeded.
- Concrete anchor table:

ANCHOR TYPE	ANCHOR SIZE	MIN. EMBEDMENT	MIN. CLEARANCE TO MASONRY EDGE	MIN. CLEARANCE TO ADJACENT ANCHOR
ITW TAPCON®	1/4"	1-1/4"	2"	4"
DeWALT ULTRACON®	1/4"	1-1/4"	1"	4"

WOOD SCREW INSTALLATION NOTES:

- Maintain a minimum 5/8" edge distance, 1" end distance, & 1" o.c. spacing of wood screws to prevent the splitting of wood.

Documents Prepared By:
Lyndon F. Schmidt
P.E. No. 43409

RW BUILDING CONSULTANTS, INC.
P.O. Box 230, Valrico, FL 33595
Phone No.: 813.659.9197
FBPE Registry No. 9813

PRODUCT:
8400 SERIES VINYL
SLIDING PATIO DOORS

PART OR ASSEMBLY:
BUCK & FRAME ANCHORING
(MAX. D.P. = 55 PSF)

NO.	DATE	REVISIONS
1	7/06/23	UPDATE TO 8TH ED. (2023) FBC

DATE: 4/13/22

SCALE: N.T.S.

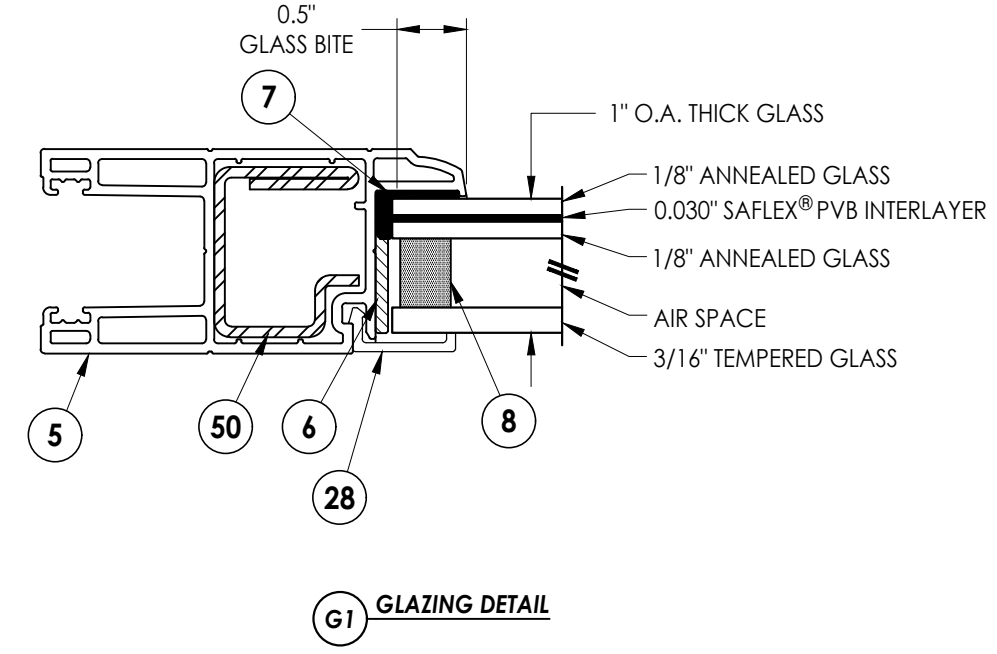
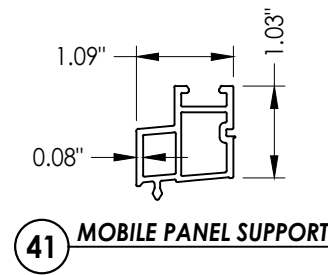
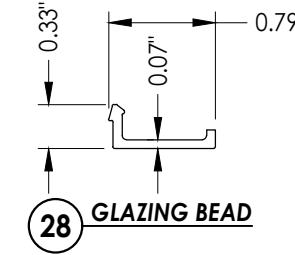
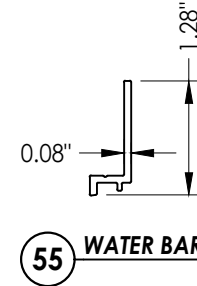
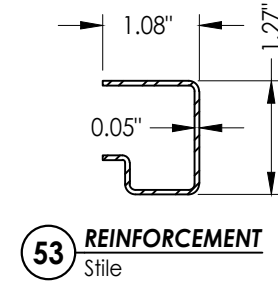
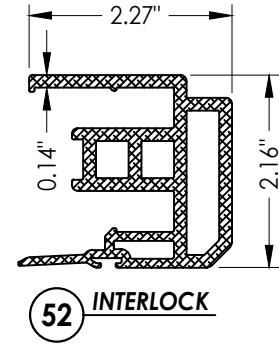
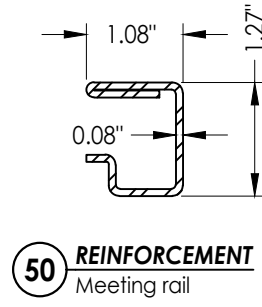
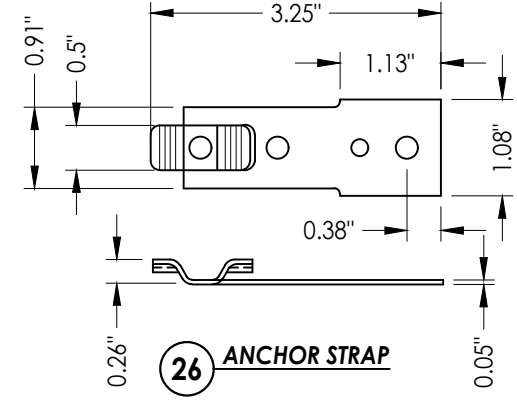
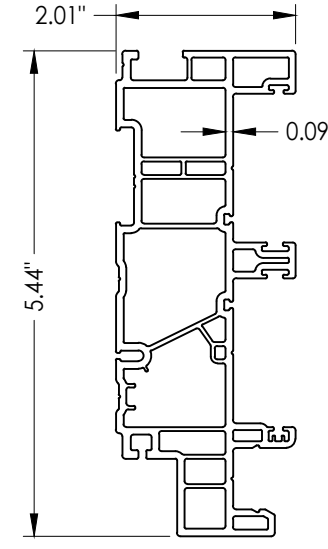
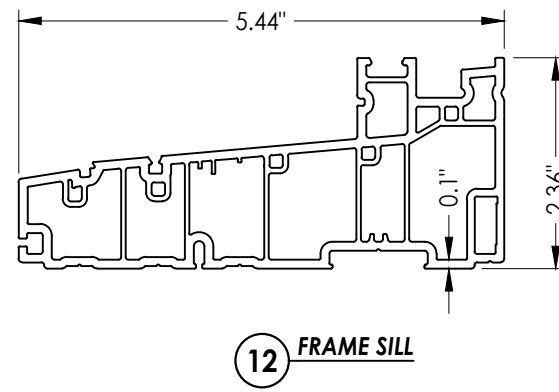
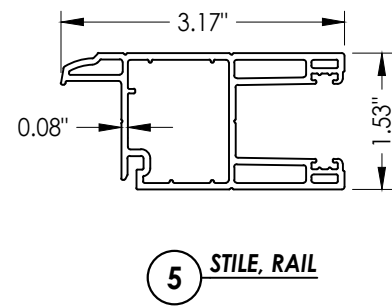
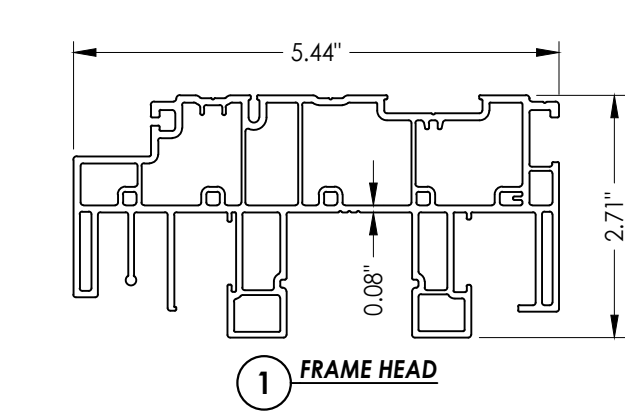
DWG. BY: LFS

CHK. BY: RW

DRAWING NO.:

FL-16216.13

SHEET 5 OF 7



Documents Prepared By:
Lyndon F. Schmidt
P.E. No. 43409

RW BUILDING CONSULTANTS, INC.
P.O. Box 230, Valrico, FL 33595
Phone No.: 813.659.9197
FBPE Registry No. 9813

PRODUCT:
8400 SERIES VINYL
SLIDING PATIO DOORS

PART OR ASSEMBLY:
GLAZING DETAILS &
COMPONENTS

NO.	DATE	REVISIONS
1	7/06/23	UPDATE TO 8TH ED. (2023) FBC
LFS		
BY		

DATE: 4/13/22
SCALE: N.T.S.
DWG. BY: LFS
CHK. BY: RW
DRAWING NO.: FL-16216.13
SHEET 6 OF 7

BILL OF MATERIALS		
ITEM #	DESCRIPTION	MATERIAL
A	1X BUCK SG >= 0.55	WOOD
B	2X BUCK SG >= 0.55	WOOD
C	1/4" MAX. SHIM SPACE	-
D	1/4" X 2-3/4" DeWALT OR ITW CONCRETE SCREW	STEEL
E	MASONRY - 3,000 PSI MIN. CONCRETE CONFORMING TO ACI 301 OR HOLLOW BLOCK CONFORMING TO ASTM C90	CONCRETE
F	1/4" X 1-3/4" DeWALT OR ITW CONCRETE SCREW	STEEL
G	1/4" X 3-3/4" DeWALT OR ITW CONCRETE SCREW	STEEL
H	#10 X 5/8" FH SMS	STEEL
1	FRAME HEAD*	PVC
2	#8 x 2-3/4" FH QUADREX WOOD SCREW	STEEL
3	WEATHERSTRIP (SCHLEGEL #HF-7522-270)	-
4	HEAD TRACK*	PVC
5	STILE & RAIL*	PVC
6	SETTING BLOCK	-
7	SILICONE (SIKA 552)	SILICONE
8	CARDINAL ENDUR SPACER	-
9	SHIM	-
10	TANDEM WHEEL	NYLON
11	ROLLING RAIL	ALUM
12	SILL*	PVC
13	SILL DUST COVER*	PVC
14	SILL PLUG	NYLON
15	SILL WEATHERSEAL	-
17	MOBILE SASH SUPPORT GASKET	-
19	#8 X 5/8" PAN HEAD, SQUARE, SELF-DRILLING SCREW	STEEL
20	OUTSIDE SILL CLADDING	ALUM
22	INSECT STOP	-
23	SCREEN	-
24	#8 X 7/8" PAN HEAD, QUADREX, SCREW	STEEL
25	FIXED PANEL ANCHOR BLOCK*	PVC
26	ANCHOR STRAP	STEEL
27	SCREW CAP	NYLON

* THE APPROVED WHITE RIGID PVC EXTERIOR EXTRUSIONS FOR WINDOWS ARE TO BE PRODUCED BY EXTRUDERS LICENSEES IN "AAMA CERTIFICATION PROGRAMS FOR RIGID PVC EXTRUSIONS".

28	GLAZING BEAD*	PVC
29	FOAM PLUG	-
30	HEAD WEATHERSEAL	-
31	#8 X 1-1/4" PAN HEAD, QUADREX, SCREW	STEEL
32	SASH STOPPER	EPDM
33	WEATHERSTRIP	-
34	FRAME JAMB*	PVC
35	WEATHERSTRIP	-
38	RECESS HANDLE	NYLON
39	HANDLE KIT	ZINC
40	OPERATING PANEL SIDE STILE*	PVC
41	MOBILE PANEL SUPPORT*	PVC
42	KEEPER FOR SCREEN	-
43	#4 X 5/8" PAN HEAD QUADREX SCREW	STEEL
44	#10 X 2-1/2" PPH SCREW (1-3/16" MIN. EMBEDMENT)	STEEL
45	#10 X 1-3/4" PPH SCREW (1-3/16" MIN. EMBEDMENT)	STEEL
46	STAINLESS STEEL DOUBLE POINT MORTISE LOCK KIT	STEEL
47	SASH COVERING CAP*	PVC
48	LOCK PLUG	NYLON
50	STILE REINFORCEMENT (CS TYPE B HOT DIPPED GALV.)	STEEL
51	#8 X 2" TRUSS HEAD QUADREX SCREW	STEEL
52	INTERLOCK	ALUM
53	STILE REINFORCEMENT (CS TYPE B HOT DIPPED GALV.)	STEEL
54	Q-LON WEATHERSTRIP (SCHLEGEL NO. QEZ 345)	-
55	WATER BAR	ALUM
56	#8 X 1" PPH SMS	SS

Documents Prepared By:
Lyndon F. Schmidt
P.E. No. 43409

BUILDING CONSULTANTS, INC.
P.O. Box 230, Valrico, FL 33595
Phone No.: 813.659.9197
.FBPE Registry No. 9813

PRODUCT: 8400 SERIES VINYL SLIDING PATIO DOORS

PART OR ASSEMBLY: BILL OF MATERIALS

NO.	DATE	DESCRIPTION	LFS	BY
1	7/06/23	UPDATE TO 8TH ED. (2023) FBC		

REVISIONS

DATE: 4/13/22

SCALE: N.T.S.

DWG. BY: LFS

CHK. BY: RW

DRAWING NO.: FL-16216.13

SHEET 7 OF 7

© 2022 R.W. BUILDING CONSULTANTS INC.